

Coupe de Madagascar 2017 Senior

tulear (MAD), 27-29 Dec 2017

-60 kg

19 Judoka

Pool A

| | | |
|---|---|------------------------|
| SEBANY, Moravily (CSF) | 1 | SEBANY, Moravily (CSF) |
| RABENORO, Andrianina Sitiraka Fanomezantsoa (CCV) | 2 | RABENORO, A. (CCV) |
| RAKOTOSON, Dwell Steven (ESC) | 3 | RAKOTOSON, D. (ESC) |
| GERALD, Steeve (CSA) | 4 | |
| RAKOTONDRA SOA, Rado Andriamihaja Francis (FJC) | | |

Pool B

| | | |
|------------------------------|---|------------------------|
| MARIOT, Nicolas Arthur (CJC) | 5 | MARIOT, N. (CJC) |
| SAHERA, Moravily (CSA) | 6 | SAHERA, Moravily (CSA) |
| NASWIRY, Bin Ramazany (JCB) | 7 | NASWIRY, B. (JCB) |
| RAMANANJARA, Aymar (CCV) | 8 | RAMANANJARA, A. (CCV) |

Pool C

| | | |
|--|----|------------------------------|
| RANDRIANTSOANIAINA, Salomon (FMJ) | 9 | RANDRIANTSOANIAINA, S. (FMJ) |
| RANDRIANANTENAINA, Fidele (JFB) | 10 | |
| RAOBELINA, Mamy Tiana (CCV) | | |
| VONINAHITRA, Mampihentsy Thiarson Lafontaine (FJC) | 11 | VONINAHITRA, M. (FJC) |
| RAMAMINARIVO, Soloniaina Jocelyn (CSA) | 12 | RAMAMINARIVO, S. (CSA) |

Pool D

| | | |
|---|----|-------------------------|
| TSIANKENIRINA, Deo Desirin (FJC) | 13 | TSIANKENIRINA, D. (FJC) |
| NAZIR, Bin Abdou (CSA) | 14 | NAZIR, Bin Abdou (CSA) |
| FRANCO, Francois (CCS) | 15 | |
| RAZANAMANDRESY, Nihafimanana Angelo (CSF) | | |
| AUBAIN, Jeannot (CJC) | 16 | AUBAIN, Jeannot (CJC) |

Repechage

| | | | |
|--|----|--|----|
| | 29 | | 33 |
| | | | |
| | 30 | | 34 |

Results

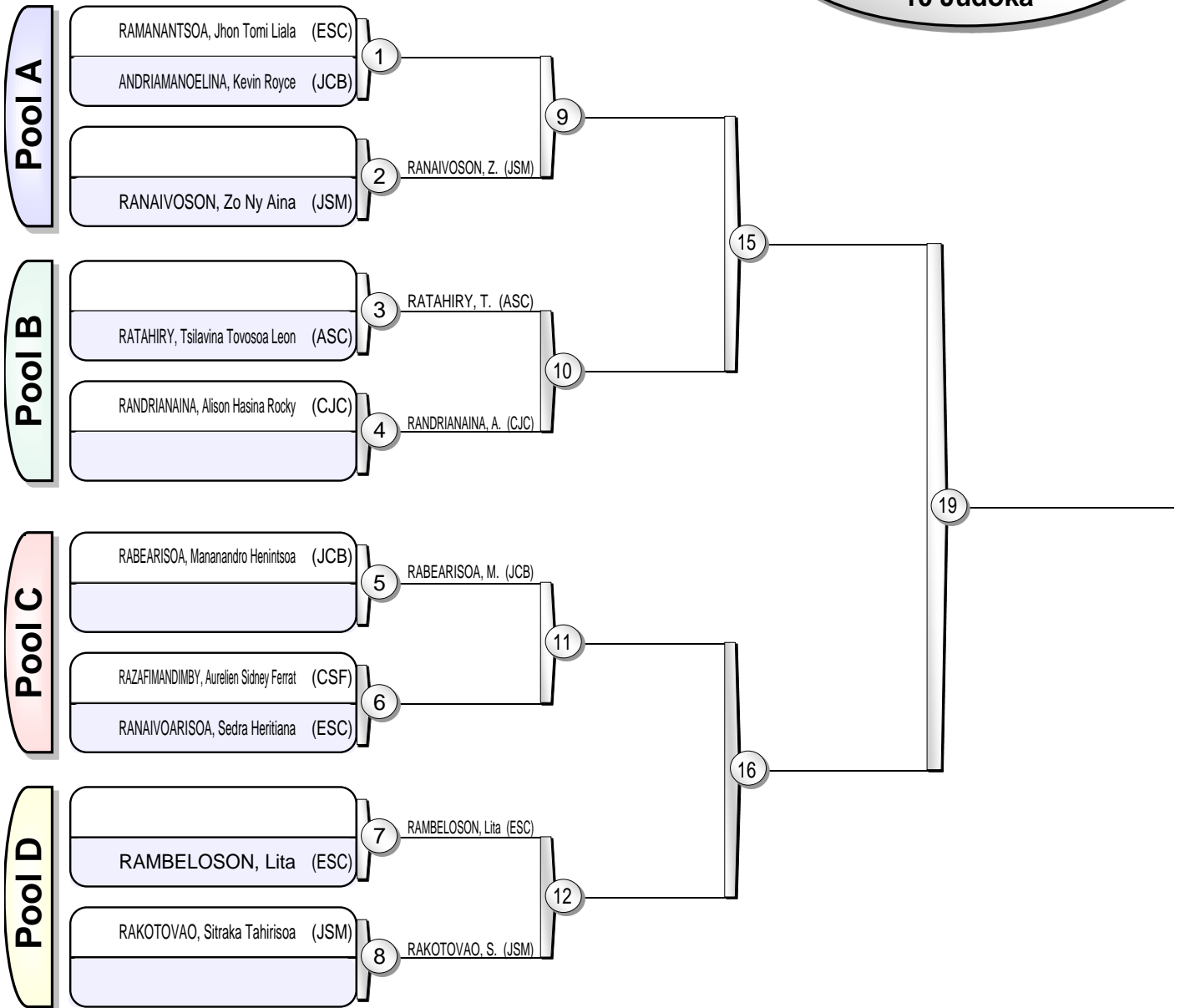
- 1.
- 2.
- 3.
- 3.
- 5.
- 5.
- 7.
- 7.

Coupe de Madagascar 2017 Senior

tulear (MAD), 27-29 Dec 2017

-66 kg

10 Judoka



Results

- 1.
- 2.
- 3.
- 3.
- 5.
- 5.
- 7.
- 7.

Coupe de Madagascar 2017 Senior

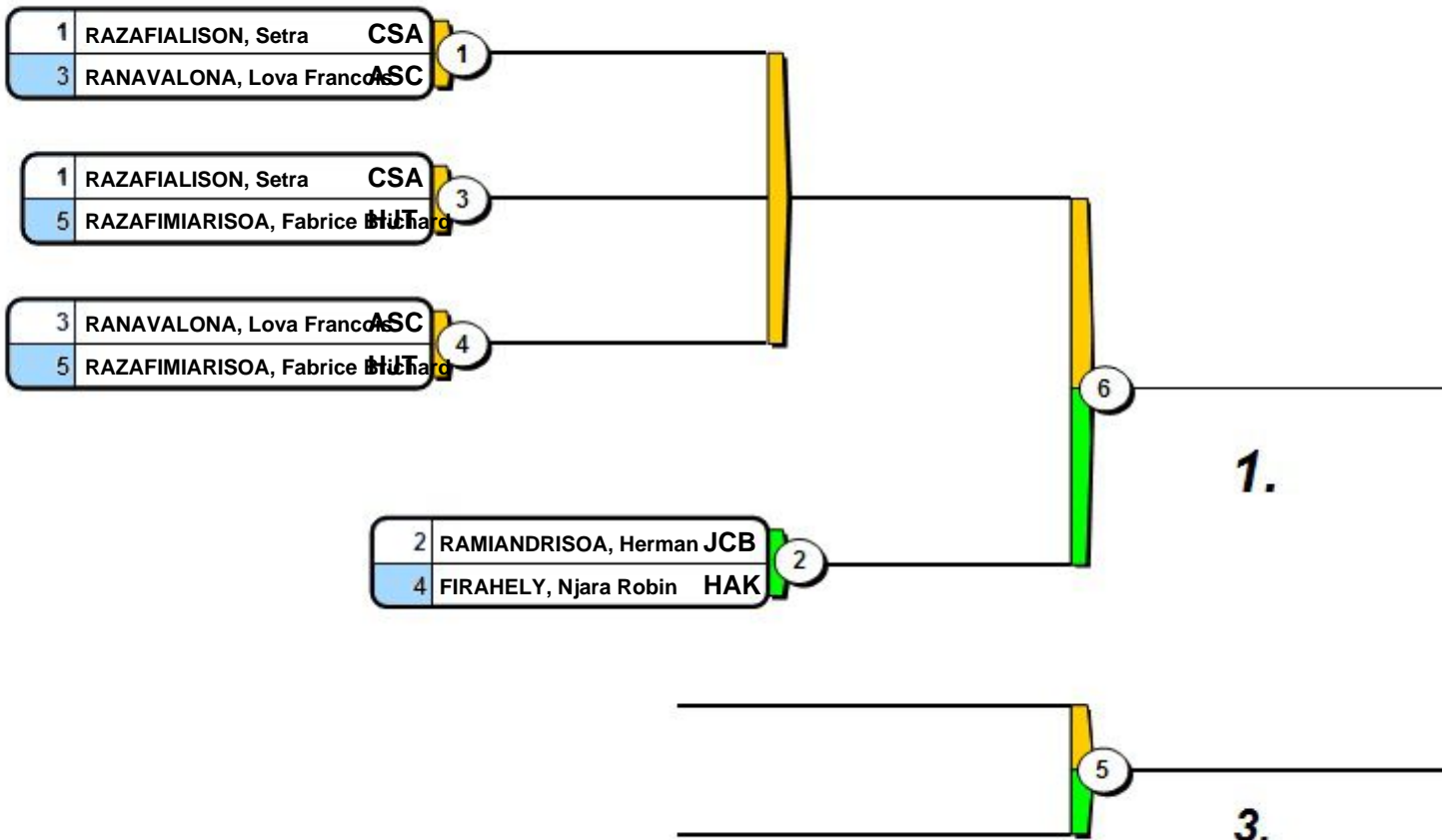
tulear (MAD), 27-29 Dec 2017

-73 kg

5 Judoka

| | 1 | 3 | 5 | Wins Score | |
|--------------------------------------|---|---|---|---------------|--|
| 1 RAZAFIALISON, Setra CSA | | | | 0 0 | |
| 3 RANAVALONA, Lova Francois ASC | | | | 0 0 | |
| 5 RAZAFIMIARISOA, Fabrice Briard HAK | | | | 0 0 | |

| | 2 | 4 | Wins | Scores |
|-----------------------------|---|---|------|--------|
| 2 RAMIANDRISOA, Herman JCB | | | | (0) |
| 4 FIRAHELY, Njara Robin HAK | | | | (0) |



Final Results

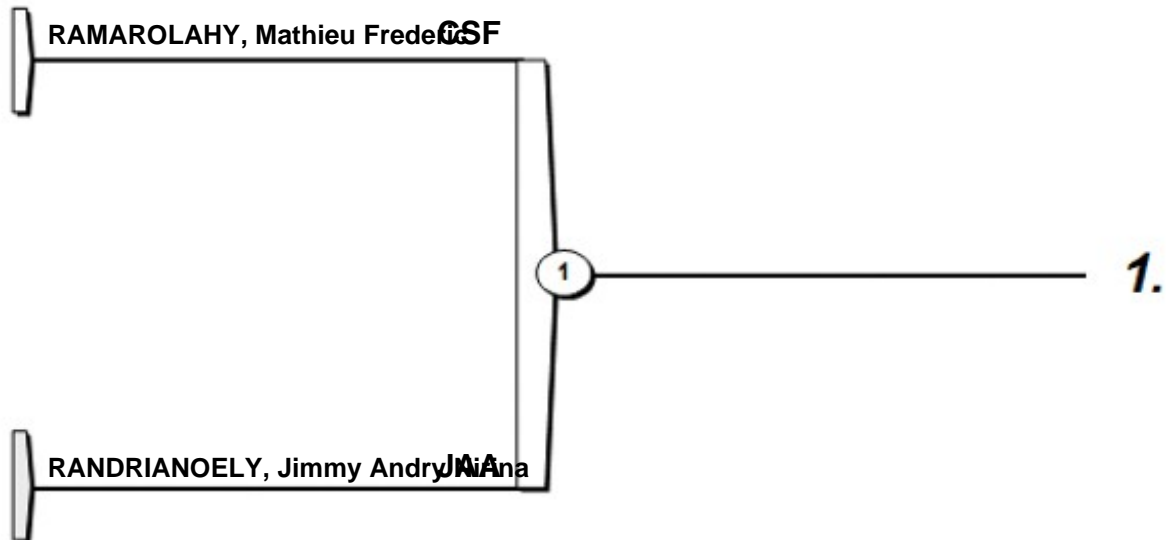
- 1.
- 2.
- 3.

Coupe de Madagascar 2017 Senior

tulear (MAD), 27-29 Dec 2017

-81 kg

2 Judoka



Final Results

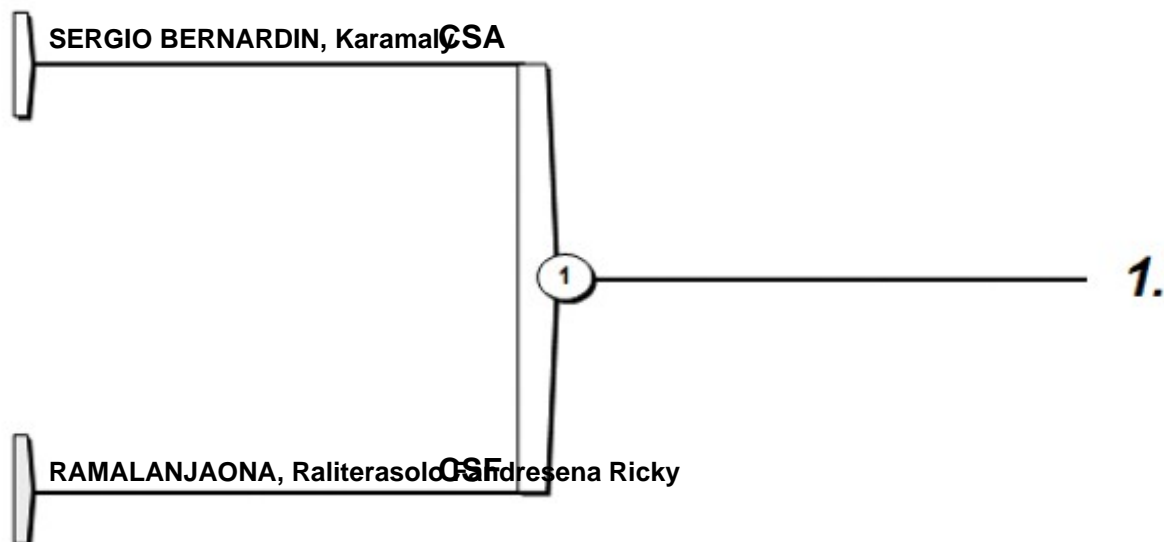
- 1.
- 2.

Coupe de Madagascar 2017 Senior

tulear (MAD), 27-29 Dec 2017

-90 kg

2 Judoka



Final Results

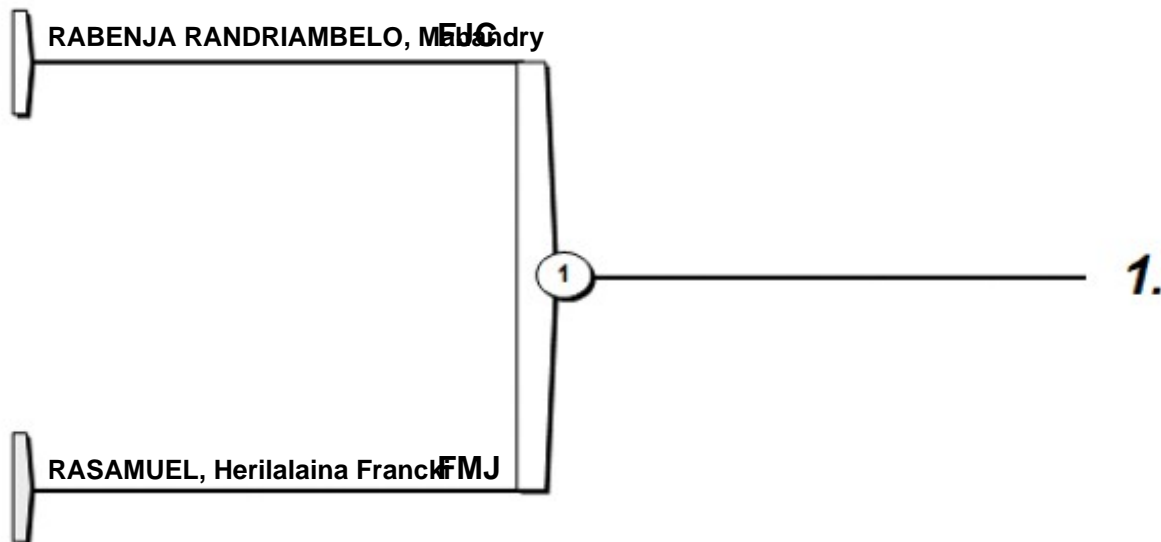
- 1.
- 2.

Coupe de Madagascar 2017 Senior

tulear (MAD), 27-29 Dec 2017

+100 kg

2 Judoka



Final Results

- 1.
- 2.

Coupe de Madagascar 2017 Senior

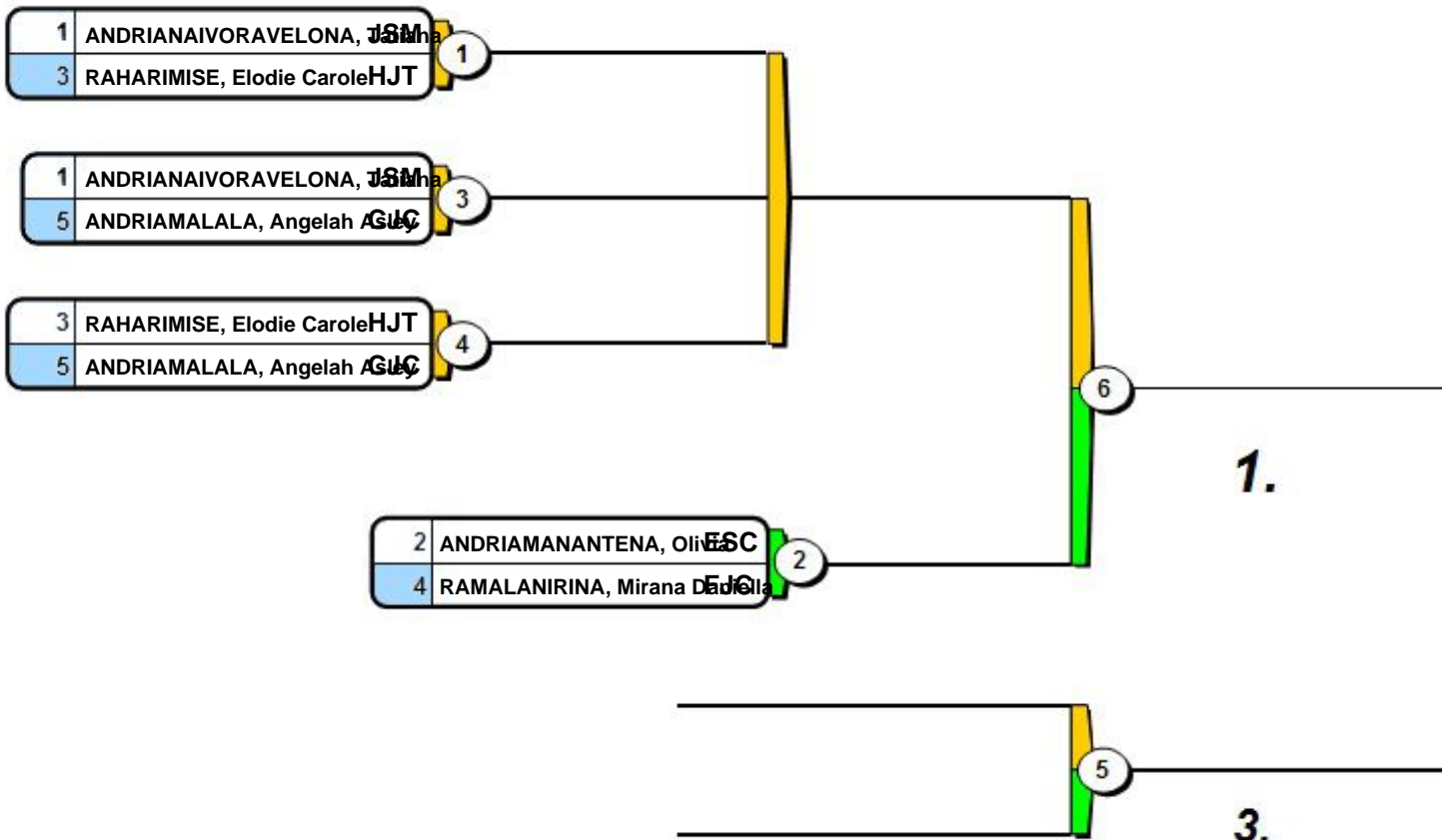
tular (MAD), 27-29 Dec 2017

-48 kg

5 Judoka

| | 1 | 3 | 5 | Wins Score | |
|----------------------------------|---|---|---|---------------|--|
| 1 ANDRIANAIVORAVELONA, Taina JSM | | | | 0 0 | |
| 3 RAHARIMISE, Elodie Carole HJT | | | | 0 0 | |
| 5 ANDRIAMALALA, Angelah Asa GJC | | | | 0 0 | |

| | 2 | 4 | Wins | Scores |
|---------------------------------|---|---|------|--------|
| 2 ANDRIAMANANTENA, Olivia ESC | | | | (0) |
| 4 RAMALANIRINA, Mirana Dany FJC | | | | (0) |



Final Results

- 1.
- 2.
- 3.

Coupe de Madagascar 2017 Senior

tulear (MAD), 27-29 Dec 2017

-52 kg

3 Judoka

| | | 1 | 2 | 3 | Wins Score | |
|---|--|---|---|---|---------------|--|
| 1 | RABEARITIANA, Fanjatiana Andrea ASC | | | | 0 0 | |
| 2 | RAZAFINDRAIBE, Lalatiana Justin ESC Gancka | | | | 0 0 | |
| 3 | RAKOTOVAO, Mirana Henintsoa JSM | | | | 0 0 | |



Final Results

- 1.
- 2.
- 3.

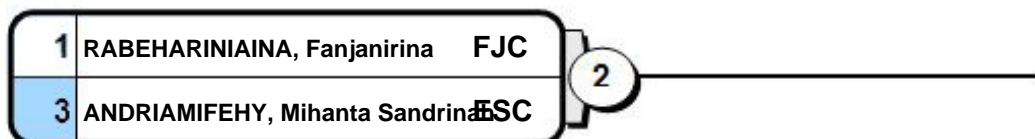
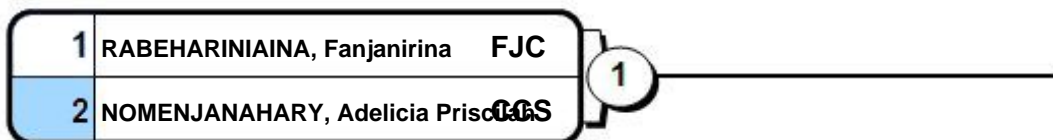
Coupe de Madagascar 2017 Senior

tulear (MAD), 27-29 Dec 2017

-57 kg

3 Judoka

| | | 1 | 2 | 3 | Wins Score | |
|---|-------------------------------------|---|---|---|---------------|--|
| 1 | RABEHARINIAINA, Fanjanirina FJC | | | | 0 0 | |
| 2 | NOMENJANAHARY, Adelia Priscilla CCS | | | | 0 0 | |
| 3 | ANDRIAMIFEHY, Mihanta Sandrina ESC | | | | 0 0 | |



Final Results

- 1.
- 2.
- 3.

Coupe de Madagascar 2017 Senior

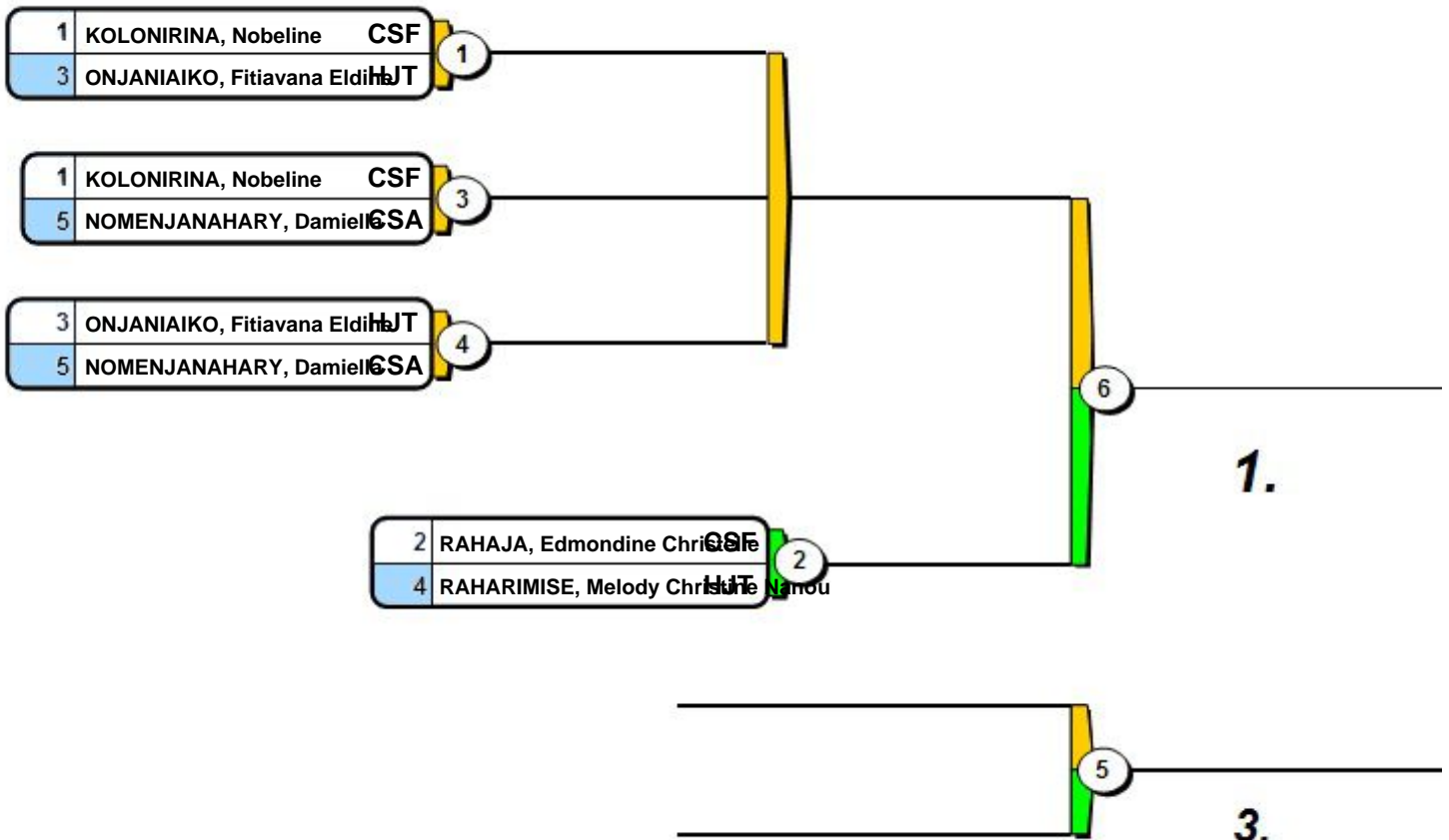
tulear (MAD), 27-29 Dec 2017

-63 kg

5 Judoka

| | 1 | 3 | 5 | Wins Score |
|---|---|---|---|---------------|
| 1 KOLONIRINA, Nobeline CSF | | | | 0 0 |
| 3 ONJANIAIKO, Fitiavana Eldine HJT | | | | 0 0 |
| 5 NOMENJANAHARY, Damiella CSA | | | | 0 0 |

| | 2 | 4 | Wins | Scores |
|--|---|---|------|--------|
| 2 RAHAJA, Edmondine Christelle CSF | | | | (0) |
| 4 RAHARIMISE, Melody Christelle HJT Nanou | | | | (0) |



Final Results

- 1.
- 2.
- 3.

Coupe de Madagascar 2017 Senior

tulear (MAD), 27-29 Dec 2017

-70 kg

3 Judoka

| | | 1 | 2 | 3 | Wins Score | |
|---|-----------------------------------|---|---|---|---------------|--|
| 1 | RANDRIANOMANANA, Niaina Ornel JEM | | | | 0 0 | |
| 2 | ANDRIAMBOLOLONA, Hajanirina ZCM | | | | 0 0 | |
| 3 | ISILO, Aicha Chicas Deborah HAK | | | | 0 0 | |

| | | |
|---|-----------------------------------|---|
| 1 | RANDRIANOMANANA, Niaina Ornel JEM | 1 |
| 2 | ANDRIAMBOLOLONA, Hajanirina ZCM | |

| | | |
|---|-----------------------------------|---|
| 1 | RANDRIANOMANANA, Niaina Ornel JEM | 2 |
| 3 | ISILO, Aicha Chicas Deborah HAK | |

| | | |
|---|---------------------------------|---|
| 2 | ANDRIAMBOLOLONA, Hajanirina ZCM | 3 |
| 3 | ISILO, Aicha Chicas Deborah HAK | |

Final Results

- 1.
- 2.
- 3.

